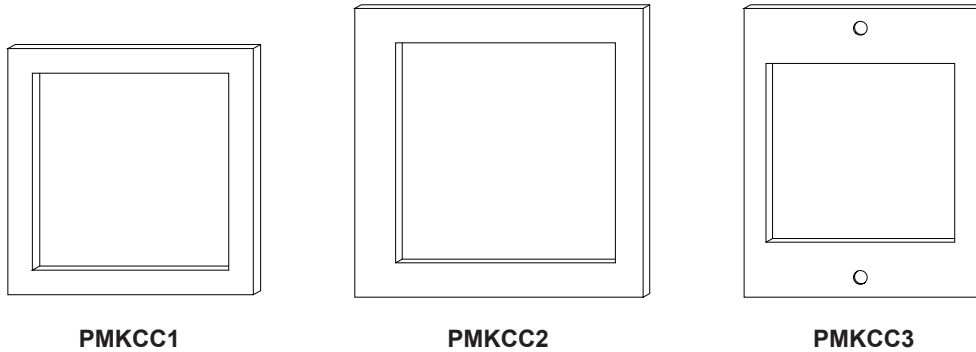


## INSTALLATION FOR 1/16 DIN PANEL MOUNT KITS



Three panel mount kits for 1/16 DIN meters are available to replace many existing meters on the market today. Kits come complete with adapter plates coated with a durable flat black polyurethane finish, mounting hardware, and gaskets.

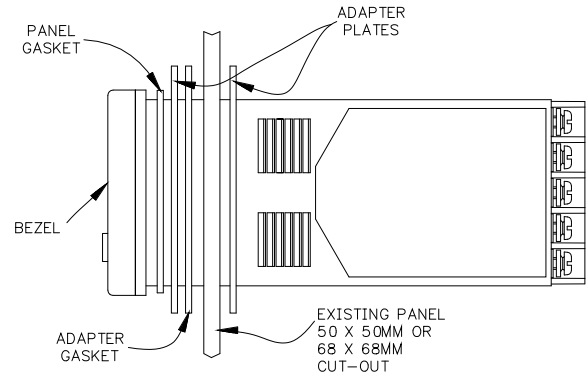
### PMKCC1 & PMKCC2

These panel mount kits adapt 1/16 DIN meters to either a 50 mm x 50 mm or a 68 mm x 68 mm panel cut-out. The kit consists of two metal panel adaptors, one neoprene gasket and 2 3-48 x 1/2" screws. The adapter plates and gasket are pinched between the front bezel of the meter and the mounting clip. The 1/2" long screws may be necessary for thicker panel installations.

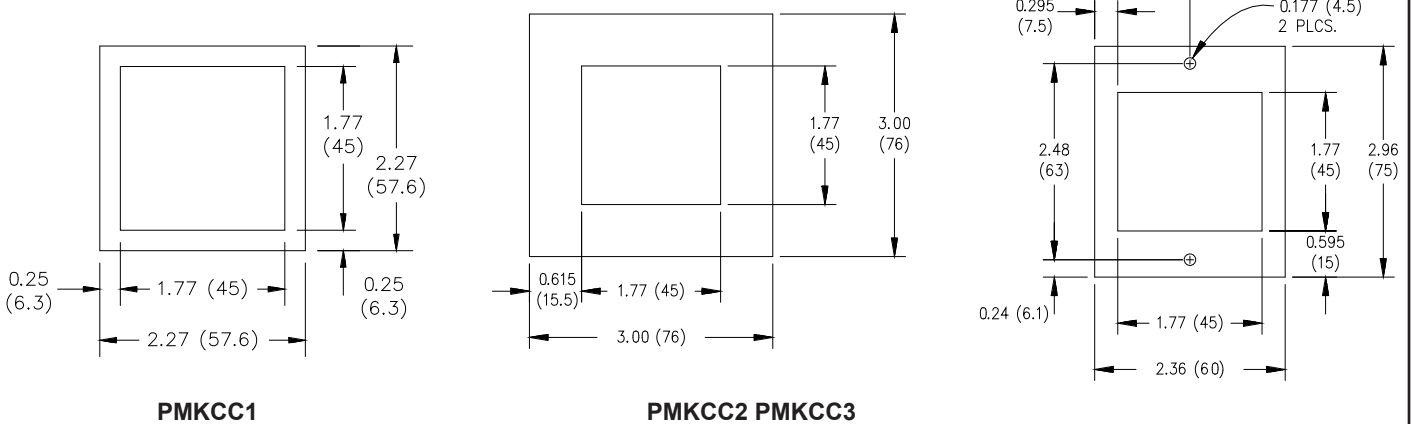
*Note: If room permits, make the wiring connections after the unit is mounted. If there is not enough room, pull the wires through before installing as described below:*

1. Pull the wires through the following items in order:
  - a) One panel adapter plate.
  - b) Through existing panel opening.
2. Slide the following items onto the counter.
  - a) Panel gasket
  - b) Adapter plate
  - c) Adapter gasket
3. Slide meter through panel cut-out from the front, and center in the panel opening.

5. Install the mounting clip. Tighten the screws moderately to "pinch" the gaskets and panels between the front bezel and the mounting clips.



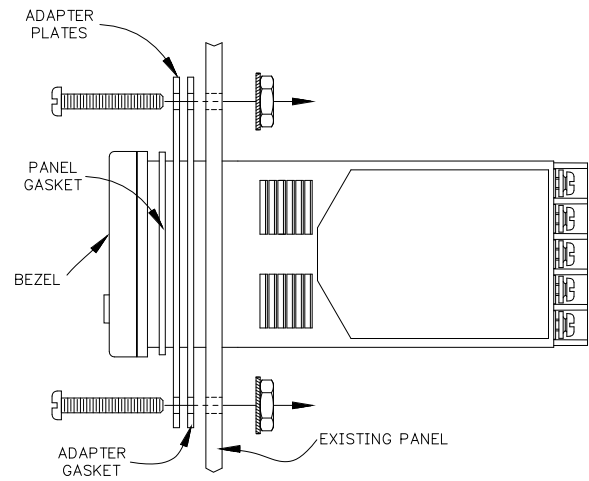
### DIMENSIONS In inches (mm)



## PMKCC3

For mounting proceed as follows:

1. Slide panel gasket over back of meter . (Gasket is supplied in accessory bag with meter.)
2. Slide meter onto adapter plate.
3. Slide adapter gasket onto meter.
4. Attach meter to adapter plate with mounting clip.
5. Place complete assembly over existing cut-out, lining up the adapter plate mounting holes with existing holes.
6. Use two mounting screws and nuts provided with Panel Adapter Kit to secure panel to existing cut-out.



## ORDERING INFORMATION

MODEL NO.	DESCRIPTION	PART NUMBER
PMKCC1	3-PIECE KIT permits mounting in existing 1.97" X 1.97" (50 mm x 50 mm) panel cut-outs O.A. 2.27" x 2.27" (57.6 mm x 57.6 mm)	PMKCC100
PMKCC2	3-PIECE KIT permits mounting in existing 2.68" x 2.68" (68 mm x 68 mm) panel cut-outs, O.A. 3" x 3" (76 mm x 76 mm)	PMKCC200
PMKCC3	2-PIECE KIT permits mounting in existing 2.36" x 2.95" (60 mm x 75 mm) panel cut-outs O.A. 2.36" x 2.96" (60 mm x 75 mm) Hole Centers 2.48" (63 mm)	PMKCC300